

jupio

MANUAL

Model: *ProLine* Extreme
V-Mount battery

SKU: BVM0022-BVM0023

EN English

NL Nederlands

DE Deutsch

ES Español

F Français

PT Português

I Italiano

SE Svensk

FI Suomi

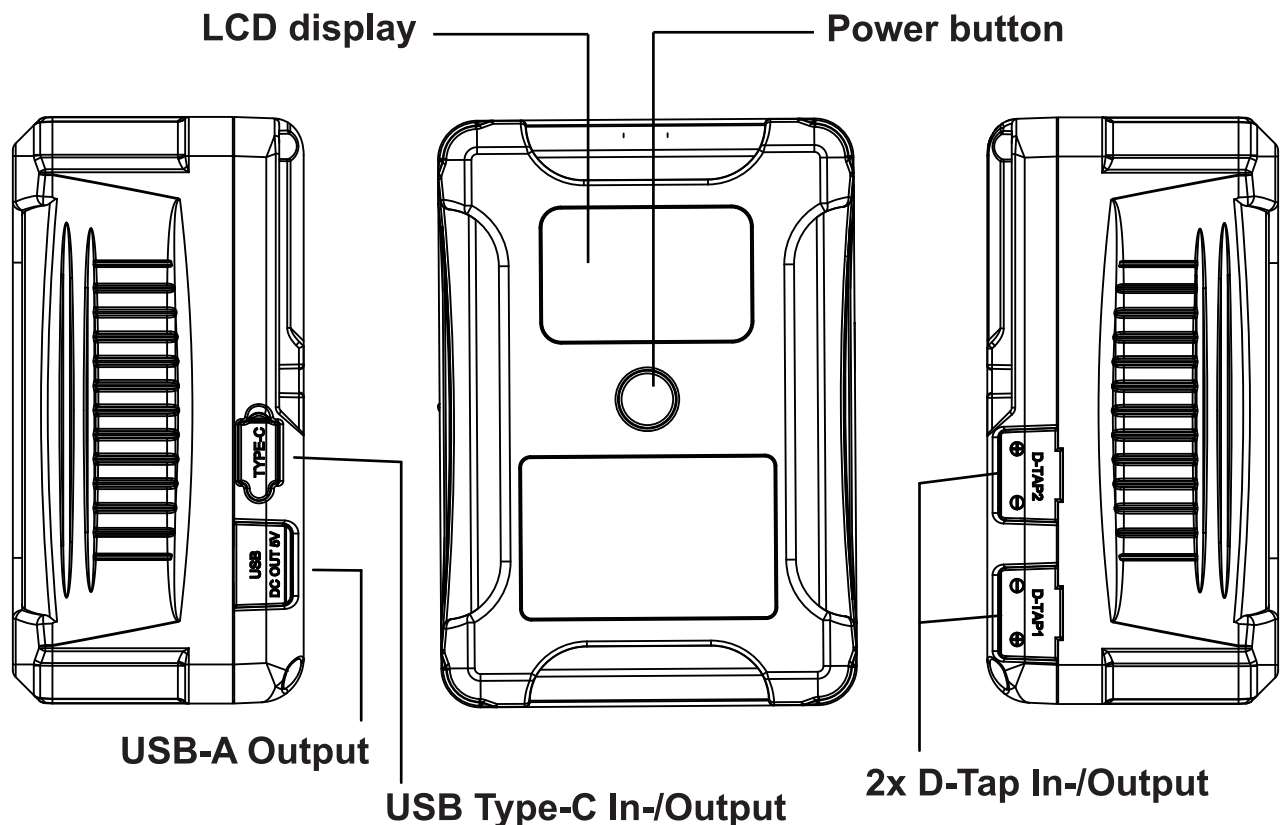
CZ Česká Republika

PL Polskie

SK Slovenský

Manual Jupio *ProLine* Extreme V-Mount battery

Specifications	
Model:	*ProLine* Extreme V-Mount battery
Voltage:	14.4V
Chemical:	Li-ion
Capacity:	BVM0022 10500mAh, BVM0023 14000mAh
Connectors:	1x USB Type-C, 1x USB Type-A, 2x D-TAP
Indication:	LCD display
USB Type-C:	Input: 5V/3A, 9V/3A, 12V/3A, 15V/3A, 20V/3.25A, max. 65W Output: PD3.0 5V/3A, 9V/3A, 12V/3A, 15V/3A, 20V/3.25A; QC2.0/AFV/FCP 5V/3A, 9V/2A, 12V/2A; QC3.0 3.6-6.5V/3A, 6.5V-9V/2A, 9-12V/2A; SCP 4.5V/5A, 5V/4.5A; DCP 5V/0.5-1.5A; PPS 3.3-21V/3A; Apple 5V/2.4A
USB-A Output:	QC2.0 5V/3A, 9V/2A, 12V/2A; QC3.0 3.6-6.5V/3A, 6.5V-9V/2A, 9-12V/1.5A; SCP 4.5V/5A, 5V/4.5A; DCP 5V/0.5-1.5A; Apple 5V/2.4A
D-Tap(2x):	Input: DC 16.8V/3.4-6.8A Output: 14.4V/10A max.
Operating Temp.:	0°C - 40°C



Manual Jupio *ProLine* Extreme V-Mount battery

Thank you for purchasing this Jupio *ProLine* Extreme V-Mount battery. Please read these instructions carefully before using this product, and save this manual for future use.

Operating Instruction

Charge

Charge time may vary depending on different conditions and charger used. Operating temperature range of 0°C~40°C. For optimum charging performance 10°C~30°C is recommended. If the temperature of the battery is below 0°C, the battery will not fully charge even if designated charge time has lapsed. The battery must be charged within the recommended temperature range.

Discharge

Maximum continuous discharge current is 10A (Note: When using the battery with video or lighting equipment power consumption of te equipment must be 10A or below. For the protection of the battery, a load of 6.0A or over may activate the internal protection circuit and terminate the supply of power.) The operating voltage range of this battery is 13V~16V. At the end of discharge and when its voltage reached 13V and beyond, the voltage will drop sharply. (For battery voltage alarm setting, please refer to camera manual)

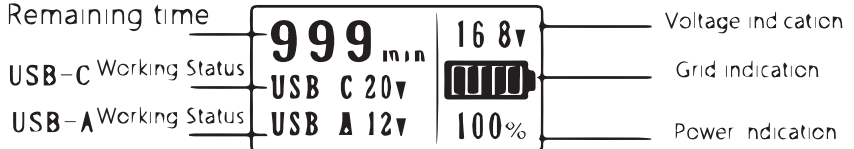

Storage

- Storage temperature range is -20°C~50°C. For prolonged battery life, store at 0°C~20°C is recommended.
- To store the battery for a long period, charge the battery for about 20 minutes every five months.
- Before re-use it, it is advisable to fully charge the battery.

Caution

- Do not puncture or short-circuit the battery.
- Do not burn the battery pack or immerse it in water.
- Always keep the battery in dry place and stay away from humid.
- Do not attempt to break or dismantle the battery pack.

Instruction for LCD operation display

<p>LCD screen display</p>	 <p>Remaining time 999 min</p> <p>USB-C Working Status USB C 20v</p> <p>USB-A Working Status USB A 12v</p> <p>Voltage indication 16.8v</p> <p>Grid indication</p> <p>Power indication 100%</p>
<p>Unusual display</p>	 <p>Over power display</p> <p>Overcurrent display</p> <p>Limit discharge PDSCH</p> <p>Temperature out of range OT</p>

jupio Important Information

This product was manufactured in China for Jupio Europe BV in the Netherlands. All Jupio products are manufactured in ISO-certified factories, meet all legal requirements and have the required (European) quality marks. Jupio attaches great value to good working conditions and disapproves child labour explicitly. Jupio acts in conformity with all legal requirements with regard to the discharge of products containing pollutants.

Although Jupio takes good care of the quality of its products, you can unfortunately never exclude defects completely. In case you have a defective product Jupio will offer maximum service and support.

The guideline General Product Safety obliges company to offer safe products. Besides, as from 1st December 2005 companies must report as soon as dangerous products come on the market. Legislation must contribute to a better protection of the consumer. Jupio acts conform all legal requirements products have to meet and makes every effort to bring safe products on the market. If necessary, Jupio products or packages contain a warning. If a defective product, which is dangerous, is brought on the market, it can be traced by means of an article- and batch number. Jupio will withdraw this product from the market. Jupio will make mention of an unsafe product on her website: jupio.com. Besides, in case of a dangerous product, we will inform the FDA. Should your product contain dangerous deviations please inform Jupio Europe BV in The Netherlands. Jupio will research the product and will take all necessary precautions. Complaints concerning possible dangerous products can be reported to Jupio Europe BV in the Netherlands. In case of questions concerning product safety, please feel free to contact our customer service, on working days.

Jupio Europe BV

Wasaweg 27
9723 JD Groningen
The Netherlands

PO BOX 5105
9700 GC Groningen
The Netherlands

T +31-(0)50 5499949
Attn: M. Evertse
E info@jupio.com

