

jumpio

MANUAL

Model: Battery Grip for
Blackmagic Pocket Cinema
Camera 6K Pro

SKU: JBG-B002

GB English

NL Nederlands

D Deutsch

ES Español

F Français

PT Português

I Italiano

SE Svensk

FI Suomi

CZ Česká Republika

PL Polskie

SK Slovenský

Manual Jupio Battery Grip for Blackmagic Pocket Cinema Camera 6K Pro

Package Contents

Battery Grip / Set of printed documentation

Product Specifications

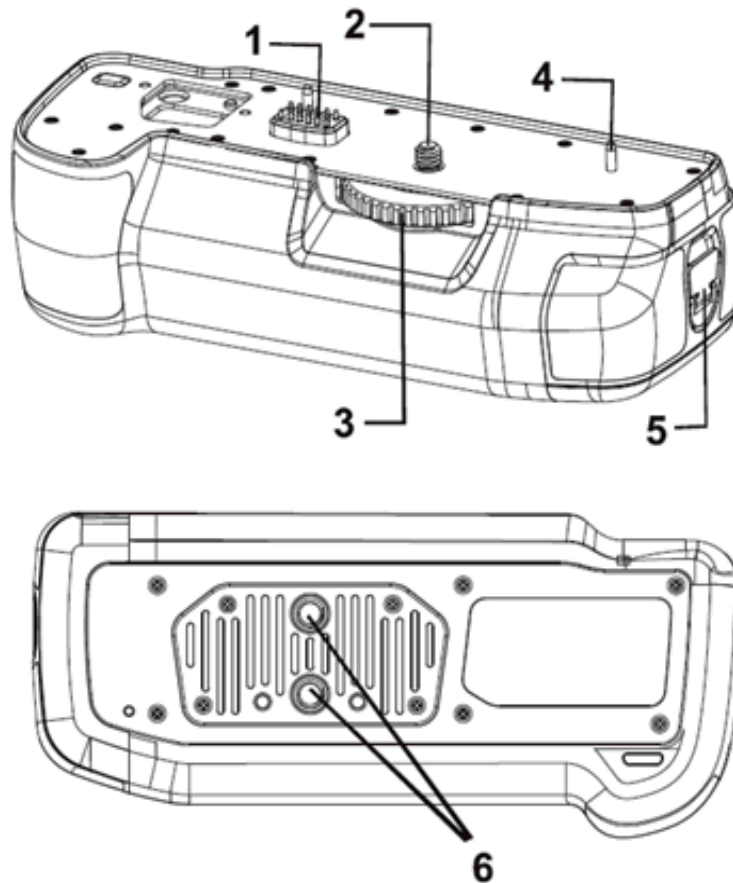
Type: JBG-B002

Power Sources: 1x or 2x NP-F550 pr NP-F570

Fit Cameras: Blackmagic Pocket Cinema Camera 6K Pro

Operating temperature: 0-40°C

Weight Approx: 367g (Excluding batteries)



Product Diagram

1: Electric contacts

4: Guide pin

2: Mounting screw

5: Battery compartment lock

3: Attachment knob

6: Tripod socket

Manual Jupio Battery Grip for Blackmagic Pocket Cinema Camera 6K Pro

Image 1



Image 2

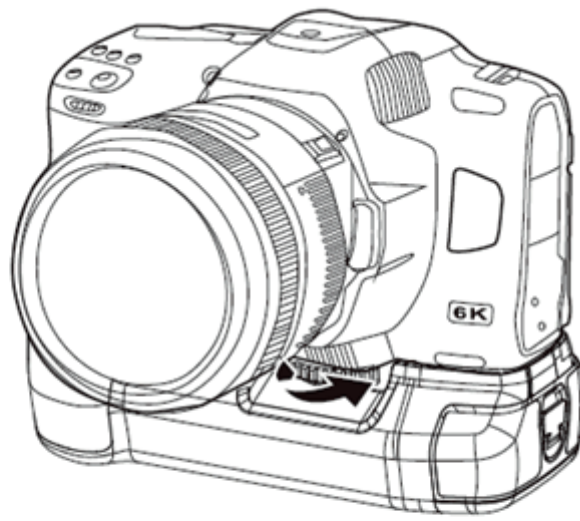


Image 3

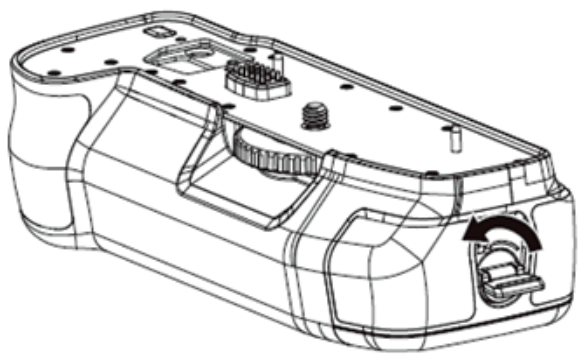


Image 5

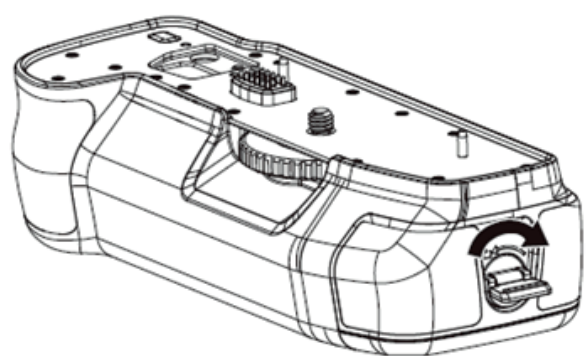
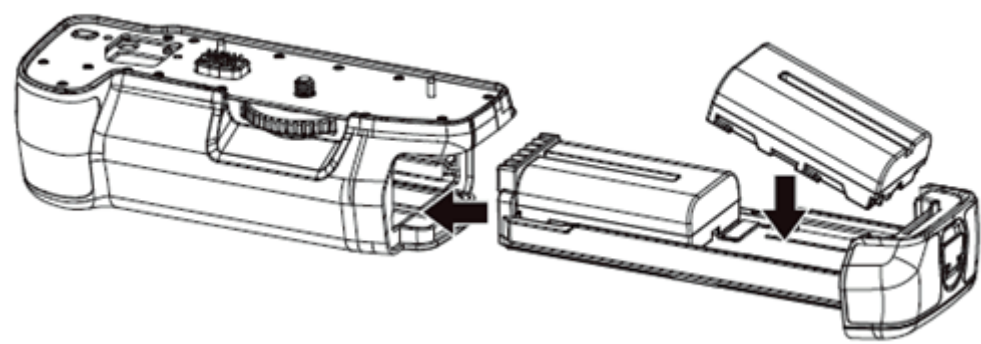


Image 4



Thank you for choosing the Jupio JBG-B002 professional battery grip. To ensure proper operation, read this manual thoroughly before using this product. After reading, be sure to keep it where it can be seen by all those who use the product. The Jupio JBG-B002 is a battery grip for using on a Blackmagic Pocket Cinema Camera 6K Pro and can hold one or two NP-F550 / NP-F570 batteries.

Attaching to the camera

1. Place the electrical contacts of the battery grip into battery compartment of the camera and align the mounting screw with tripod socket of the camera (Image 1).
2. Tighten the locking knob counterclockwise (as shown in Image 2) to securely attach the battery grip to the camera.

Installing the battery packs

1. After pulling out the release lever, turn it in the direction of the arrows and then pull out the battery holder (Image 3).
2. Place one or two NP-F550 / NP-F570 batteries in the battery holder (Image 4).
3. Place the battery holder in the battery grip (Image 5).
 - After installation, make sure the holder is securely attached to the battery grip.
4. Close the release lever (Image 5).

Notice

A maximum of two NP-F550 / NP-F570 batteries can be installed in the battery grip at the same time.

- Remove the battery from the grip if the camera will not be used for an extended period of time.
- Battery NP-F550 / NP-F570 is suitable for this device. Use only the specified camera or charger to charge the battery.

Caution

1. If the camera will not be used for a long time, remove the battery from the battery grip and remove the battery grip from the camera.
2. Do not disassemble or repair the device yourself. Any errors or accidents caused by this are not covered by the warranty.
3. This device is not waterproof. Do not place the device in water or place it in a humid environment.
4. Do not place the device in a fire or in a hot environment.
5. Place the device and accessories out of the reach of children to avoid the risk of children accidentally swallowing them.
6. If the battery needs to be replaced during use, first turn off the camera.

jupio Important Information

This product was manufactured in China for Jupio Europe BV in the Netherlands. All Jupio products are manufactured in ISO-certified factories, meet all legal requirements and have the required (European) quality marks. Jupio attaches great value to good working conditions and disapproves child labour explicitly. Jupio acts in conformity with all legal requirements with regard to the discharge of products containing pollutants.

Although Jupio takes good care of the quality of its products, you can unfortunately never exclude defects completely. In case you have a defective product Jupio will offer maximum service and support.

The guideline General Product Safety obliges company to offer safe products. Besides, as from 1st December 2005 companies must report as soon as dangerous products come on the market. Legislation must contribute to a better protection of the consumer. Jupio acts conform all legal requirements products have to meet and makes every effort to bring safe products on the market. If necessary, Jupio products or packages contain a warning. If a defective product, which is dangerous, is brought on the market, it can be traced by means of an article- and batch number. Jupio will withdraw this product from the market. Jupio will make mention of an unsafe product on her website: jupio.com. Besides, in case of a dangerous product, we will inform the FDA. Should your product contain dangerous deviations please inform Jupio Europe BV in The Netherlands. Jupio will research the product and will take all necessary precautions. Complaints concerning possible dangerous products can be reported to Jupio Europe BV in the Netherlands. In case of questions concerning product safety, please feel free to contact our customer service, on working days.

Jupio Europe BV

Wasaweg 27
9723 JD Groningen
The Netherlands

PO BOX 5105
9700 GC Groningen
The Netherlands

T +31-(0)50 5499949
Attn: M. Evertse
E info@jupio.com

